

# FREQUENTLY ASKED QUESTIONS

SATATYA DVR/NVR/HVR

What  
When  
Which  
Where  
How  
Who  
Why

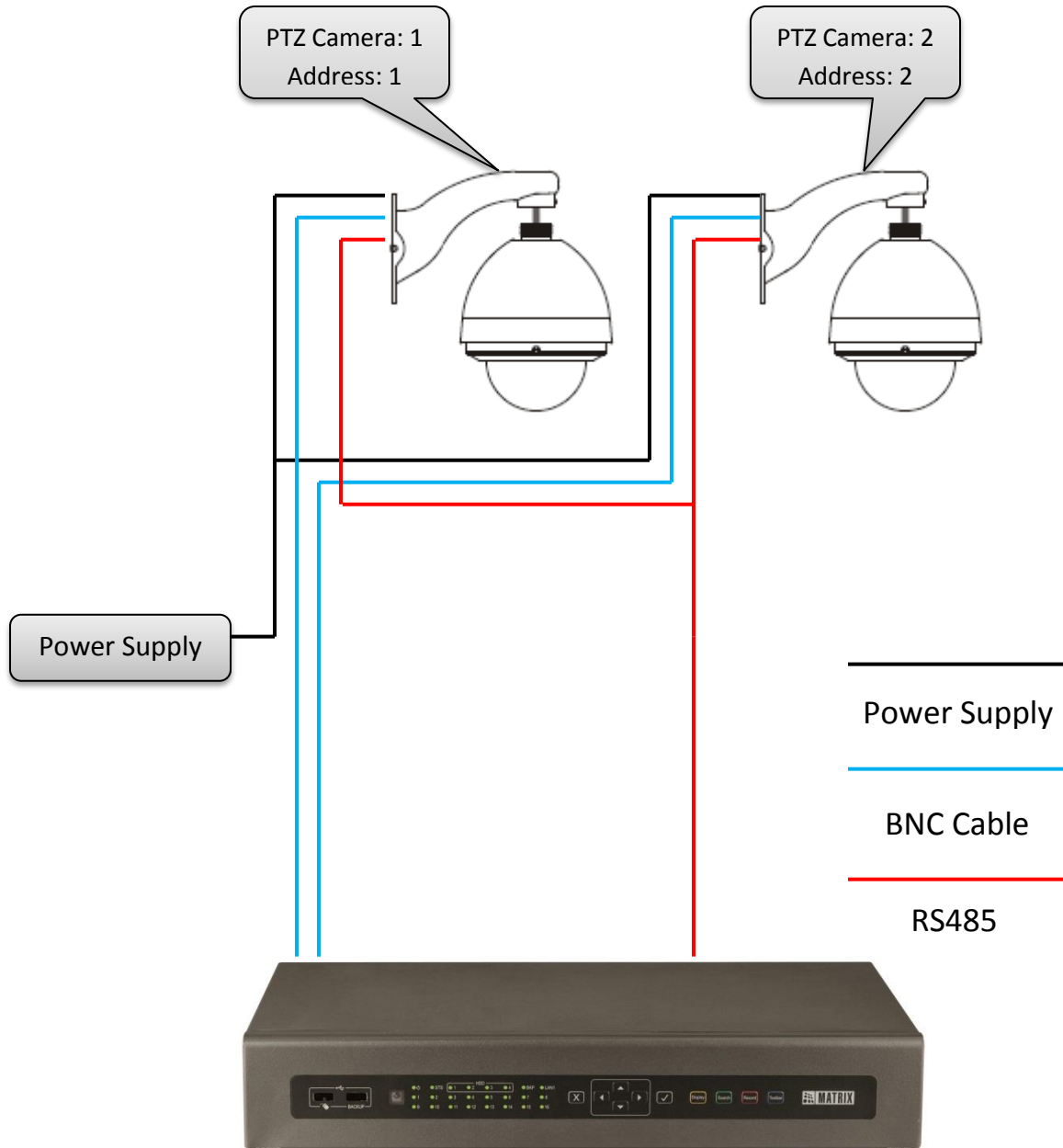


**Date:** 7<sup>th</sup> February 2015

**Version:** V1R1

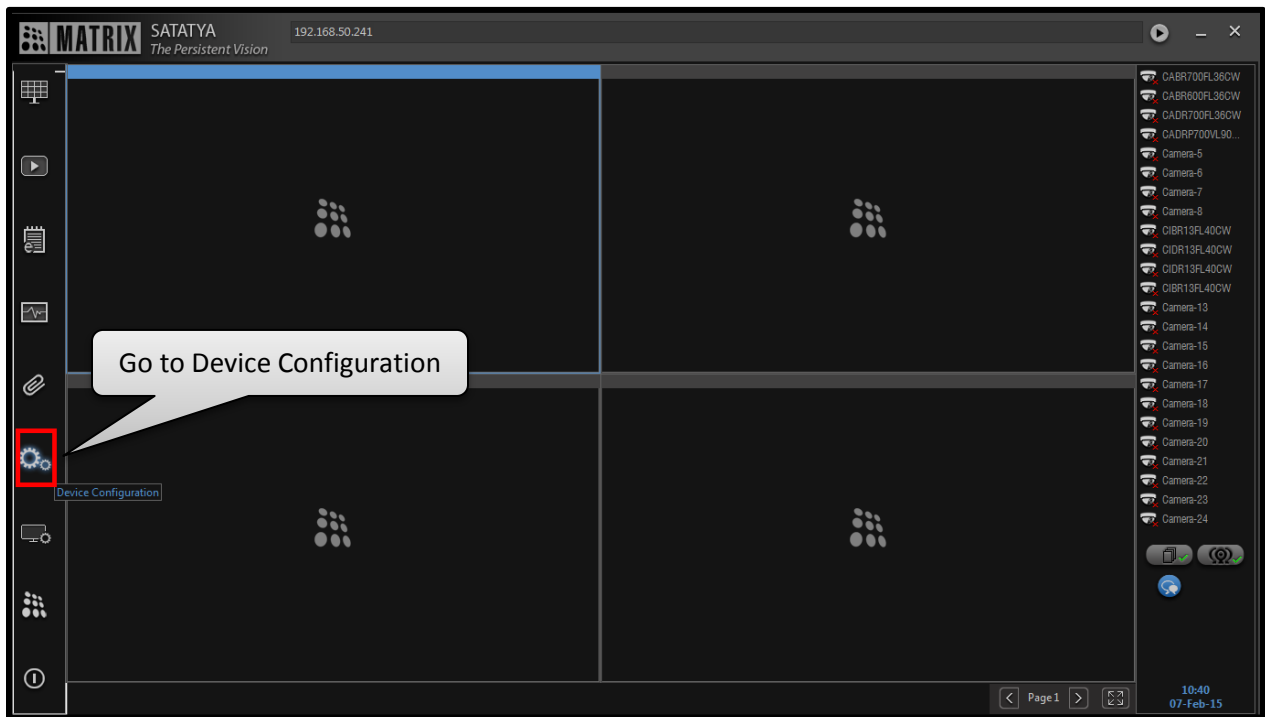
**Author:** Ashutosh Sharma

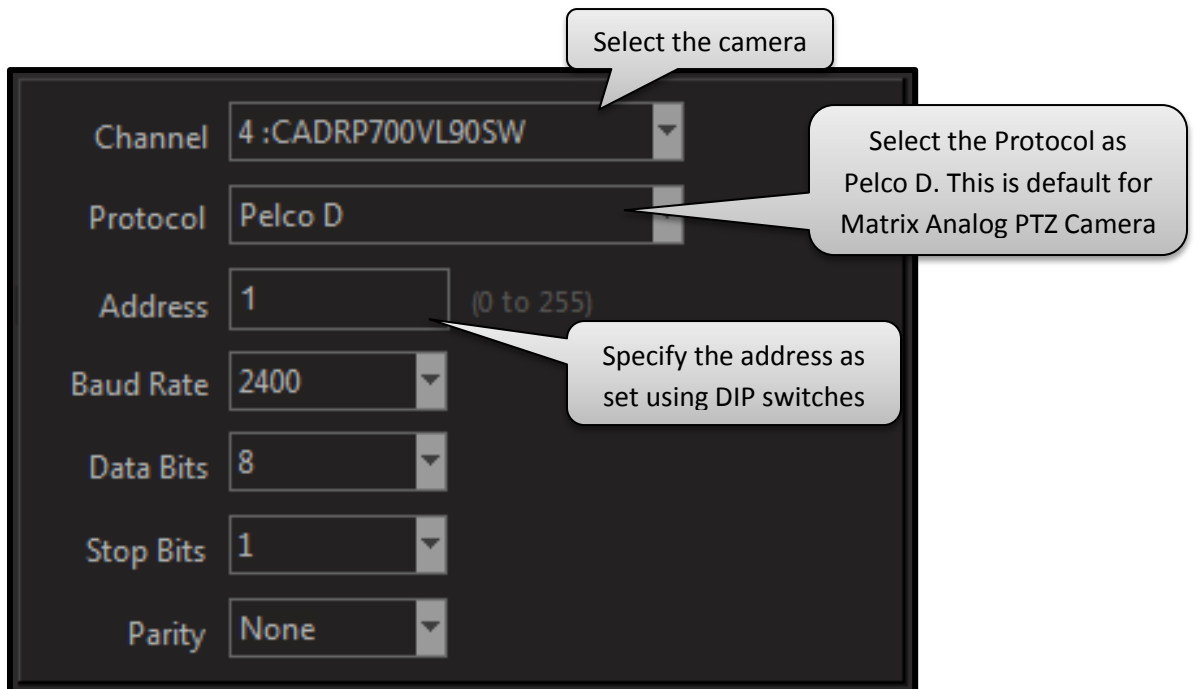
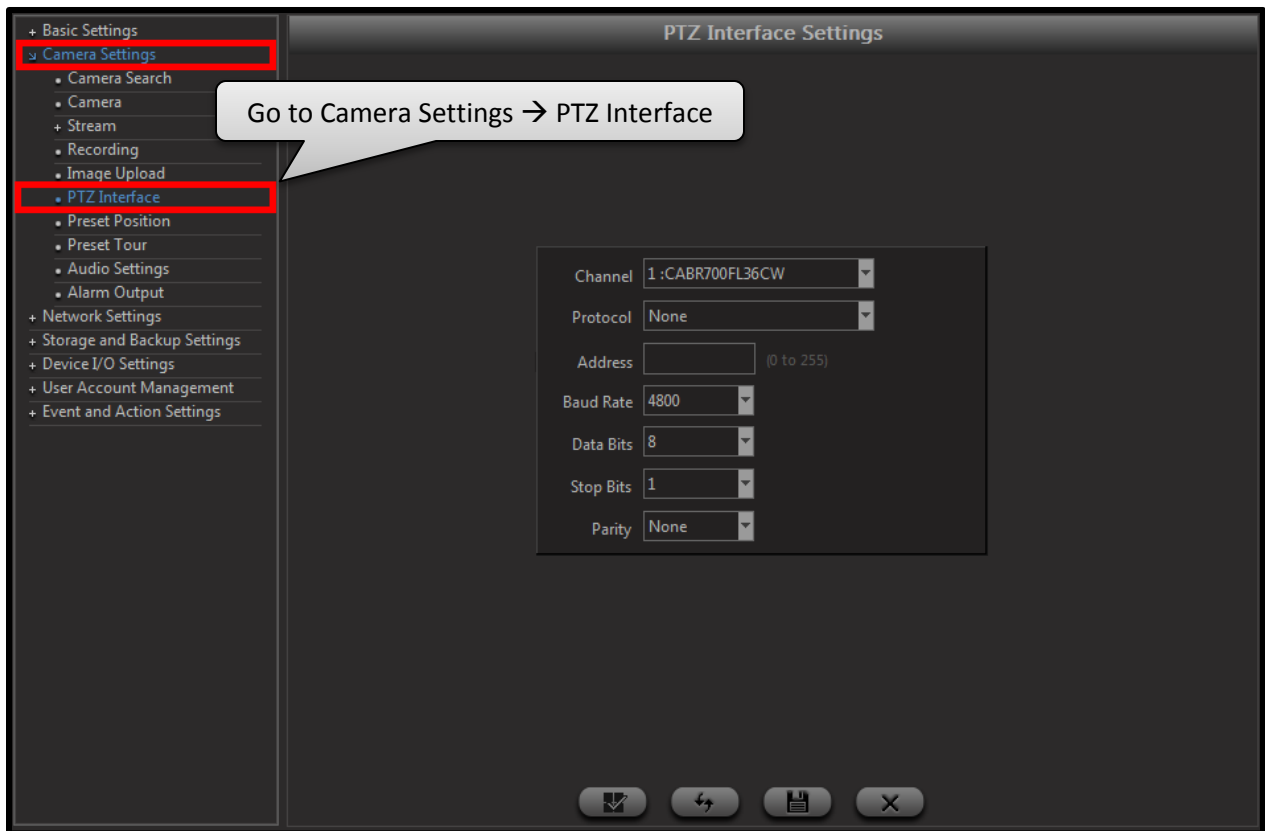
## Connecting Multiple PTZ Cameras with SATATYA HVR



There are 8 DIP switches in every Matrix Analog PTZ Camera. Each camera can be assigned a different address using this table

Address	switch setup							
	1	2	3	4	5	6	7	8
1	ON	OFF	OFF	OFF	OFF	OFF	OFF	OFF
2	OFF	ON	OFF	OFF	OFF	OFF	OFF	OFF
3	ON	ON	OFF	OFF	OFF	OFF	OFF	OFF
4	OFF	OFF	ON	OFF	OFF	OFF	OFF	OFF
5	ON	OFF	ON	OFF	OFF	OFF	OFF	OFF
6	OFF	ON	ON	OFF	OFF	OFF	OFF	OFF
7	ON	ON	ON	OFF	OFF	OFF	OFF	OFF
8	OFF	OFF	OFF	ON	OFF	OFF	OFF	OFF
9	ON	OFF	OFF	ON	OFF	OFF	OFF	OFF
10	OFF	ON	OFF	ON	OFF	OFF	OFF	OFF
11	ON	ON	OFF	ON	OFF	OFF	OFF	OFF
12	OFF	OFF	ON	ON	OFF	OFF	OFF	OFF
---	---	---	---	---	---	---	---	---
254	OFF	ON	ON	ON	ON	ON	ON	ON
255	ON	ON	ON	ON	ON	ON	ON	ON





Channel 4 :CADRP700VL90SW

Protocol Pelco D

Address 1 (0 to 255)

Baud Rate 2400

Data Bits 8

Stop Bits 1

Parity None

Also enter the default settings as shown

Channel 5 :CADRP700VL90SW

Protocol Pelco D

Address 2 (0 to 255)

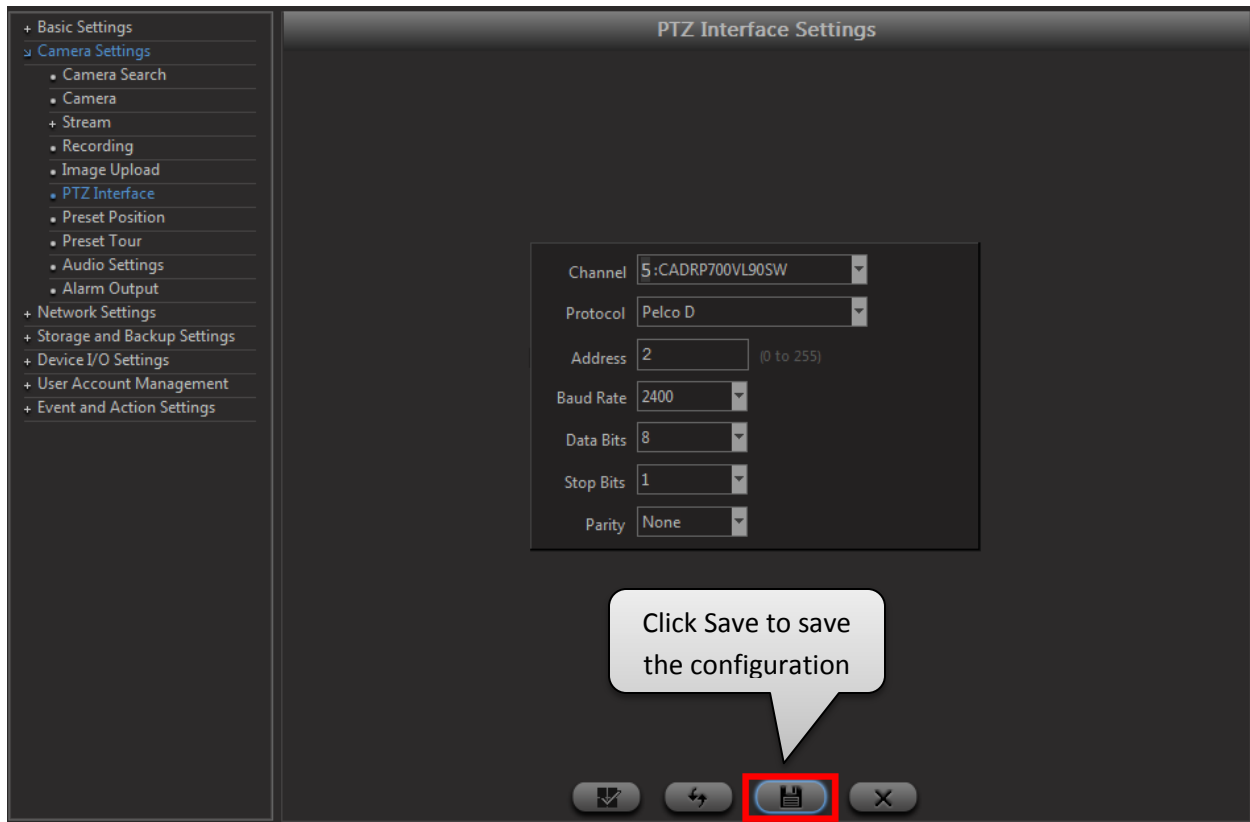
Baud Rate 2400

Data Bits 8

Stop Bits 1

Parity None

For the other camera, just change the address



In this way, Multiple Analog PTZ Camera can be connected with SATATYA HVR.

For more information, contact  
Matrix Technical Training Team  
[Training@MatrixComSec.com](mailto:Training@MatrixComSec.com)

**Disclaimer:** The information contained in this e-mail and/or attachment may contain confidential or privileged information. Unauthorized use, disclosure or copying is strictly prohibited and may constitute unlawful act and can possibly attract legal action, civil and/or criminal. The contents of this message need not necessarily reflect or endorse the views of Matrix ComSec Pvt Ltd on any subject matter. Any action taken or omitted on this message is not entirely at your risk and the originator of this message nor does Matrix ComSec Pvt Ltd take any responsibility or liability towards the same. If you are not the intended recipient, please notify us immediately and permanently delete the message.